

MED 24x1.700



TUBULAR FRAME SOLENOID

Two position linear solenoid with tubular construction.



Features

- High performance construction
- DC solenoids applications only
- Standard push and pull versions available
- UL approval on many models



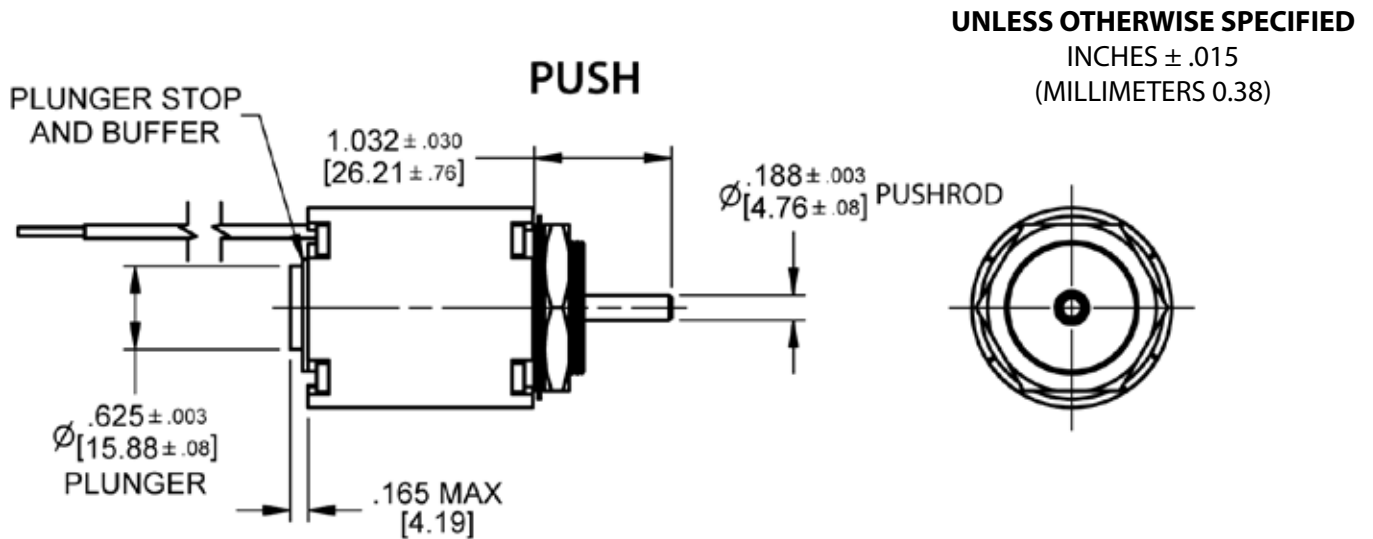
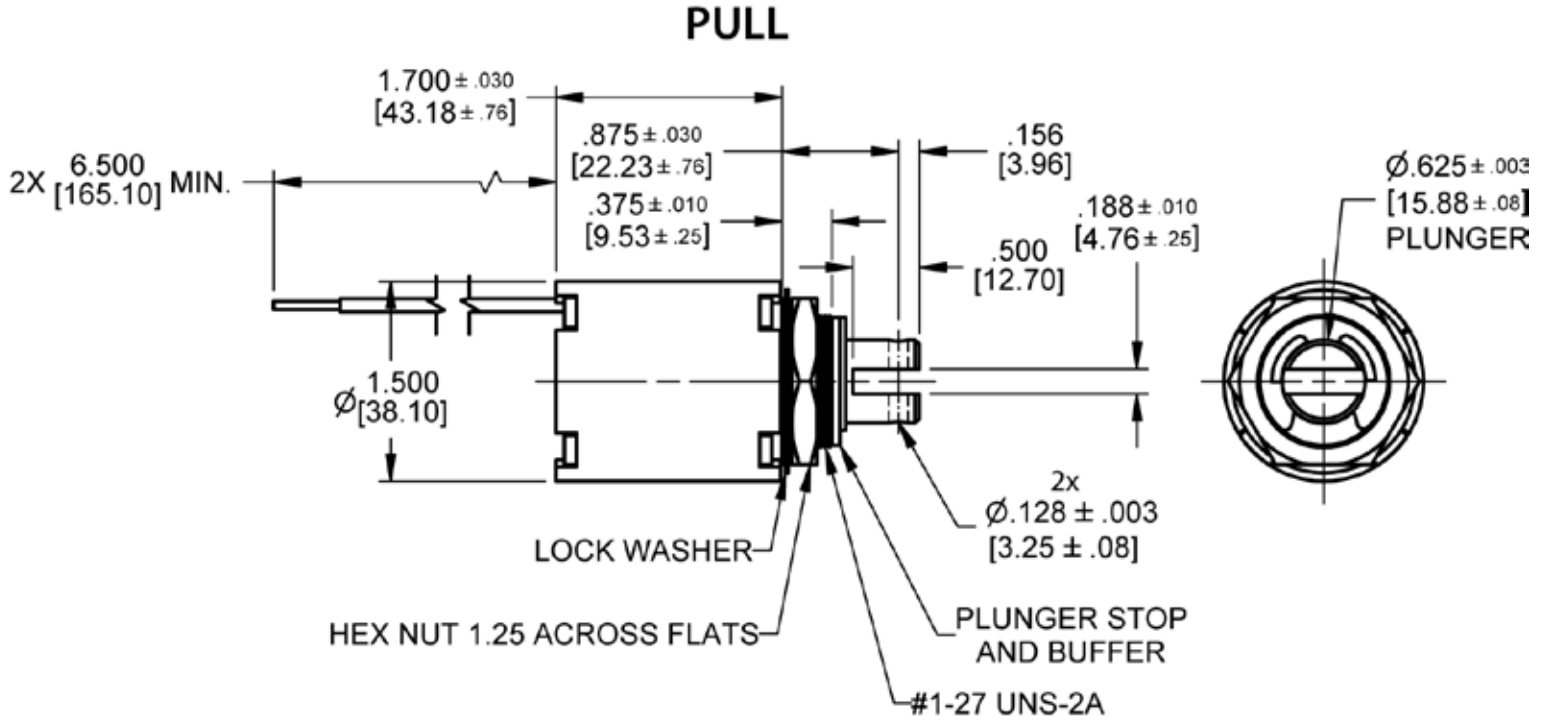
Electrical Specifications	
Coil Voltages	6, 12, 24, 110 VDC
Coil Power	12 Watts Continuous, 33 Watts Intermittent, 120 Watts Pulse
Coil Termination	Wire leads 20 AWG (standard)
Duty Cycle	Continuous, intermittent, pulse (See standard part numbers on page 4)
Coil Treatment	Tape Wrapped
Insulation Class	Class B Rating - 130°C (265°F) Max.
Dielectric Strength	30 Volts and Under: 500 VRMS Over 30 Volts: 1000 VRMS plus 2X rated voltage for 1 minute
Mechanical Specifications	
Size	1.700" [43.2] (L) x Ø 1.500" [38.1] (D)
Forces	See force curves on page 3
Plunger Diameter	Ø 0.625" [15.9]
Plunger Guide Material	Brass
Mounting	1.250" [31.8] Hex Nut
Weight	Plunger - 2.6 oz [73.7 gms], Total - 11.1 oz [314.7 gms]
Life Expectancy	250,000 Cycles (Dependent on load conditions)
Agency Approvals	
	UL File No. E57982 For Continuous Duty UL File No. E74443 For Insulation Systems S130

Dimensions: inches [mm]

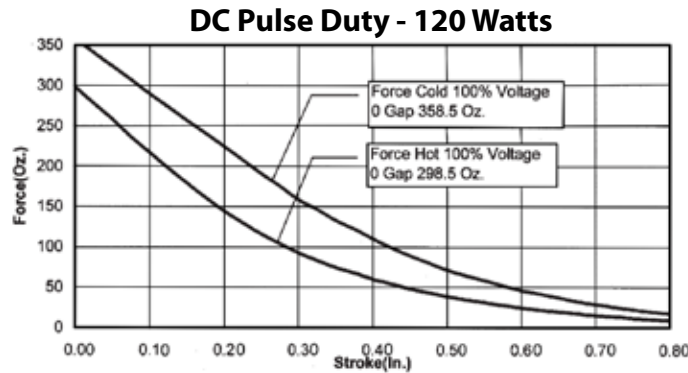
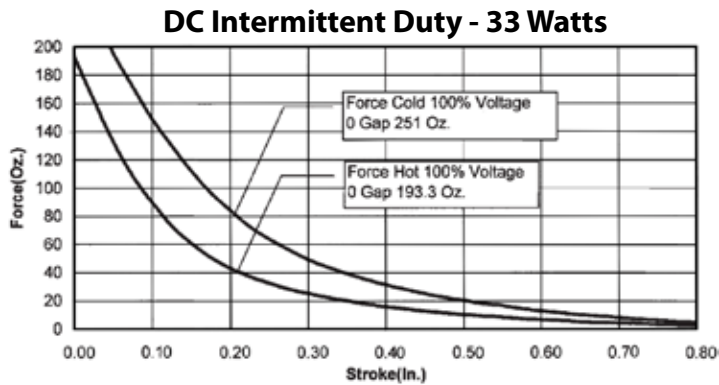
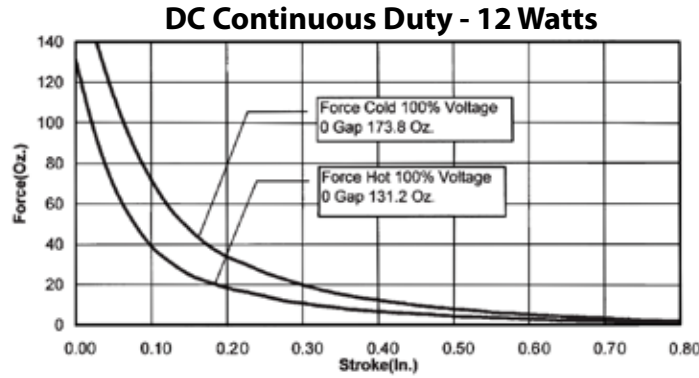
MED 24x1.700

Dimensional View

Units: Inches [mm]



Force Curves



Standard intermittent duty cycle at nominal voltage is one (1) minute "ON" and three (3) minutes "OFF". Standard pulse duty cycle is 100 milliseconds "ON" and 900 milliseconds "OFF".

Note:

Cold Force @ 25°C (77°F) Cold Temperature
Hot Force @ 130°C (266°F) Coil Temperature
Approx. 36 sq. in. Heat Sink Required

MED 24x1.700



Standard Part Numbers

Parts No.	Voltage	Duty Cycle	Power	Resistance (Ohms)	Operation	Typical Force oz [N] 100% Voltage, 77°F [25°C], Stroke @				
						0.000"	0.125"	0.250"	0.500"	0.750"
53797-80	6 VDC	Continuous	12 Watts	3	Pull	173 [48.1]	56 [15.6]	26 [7.2]	8 [2.2]	2 [0.6]
53798-80	6 VDC			3	Push					
53797-81*	12 VDC			12	Pull					
53798-81	12 VDC			12	Push					
53797-82*	24 VDC			48	Pull					
53798-82	24 VDC			48	Push					
53797-83	110 VDC			1008	Pull					
53798-83	110 VDC			1008	Push					
53797-84	6 VDC	Intermittent	33 Watts	1.09	Pull	251 [69.8]	130 [36.1]	60 [16.7]	20 [5.6]	7 [1.9]
53798-84	6 VDC			1.09	Push					
53797-85	12 VDC			4.36	Pull					
53798-85	12 VDC			4.36	Push					
53797-86	24 VDC			17.5	Pull					
53798-86	24 VDC			17.5	Push					
53797-87	110 VDC			366.7	Pull					
53798-87	110 VDC			366.7	Push					
53797-88	12 VDC	Pulse	120 Watts	1.2	Pull	358 [99.5]	275 [76.5]	185 [51.4]	75 [20.9]	22 [6.1]
53798-88	12 VDC			1.2	Push					
53797-89	24 VDC			4.8	Pull					
53798-89	24 VDC			4.8	Push					
53797-90	110 VDC			100.8	Pull					
53798-90	110 VDC			100.8	Push					

(*) Normally Stocked

Non stocked items require a minimum order